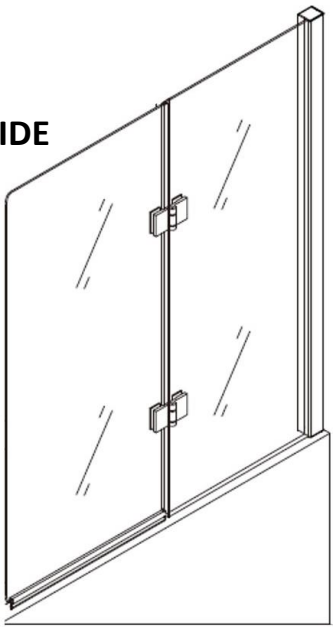


CLARO BATH PANEL INSTALLATION GUIDE

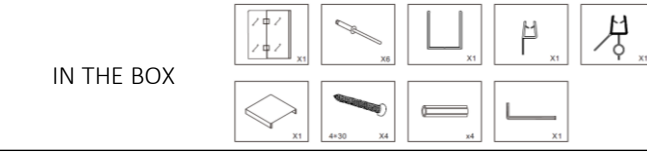
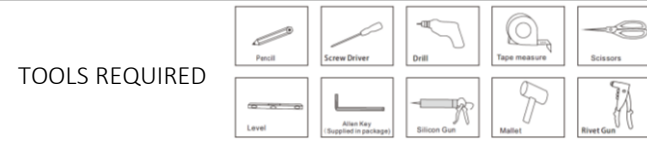


BATH AREA SHOULD BE COMPLETELY CLEAN AND DRY PRIOR TO STARTING TO THE INSTALLATION PROCESS.

SILICON IS USED ON THE OUTSIDE OF THE BATH PANEL ONLY, TO ALLOW FOR MOISTURE AND CONDENSATION TO DRAIN BACK INTO THE BATH

24h SHOWER SHOULD NOT BE USED FOR A MINIMUM OF 24 HOURS TO ALLOW THE SILICON TO CURE

CARE & MAINTENANCE
DO NOT USE CAUSTIC CLEANING PRODUCTS OR ABRASIVE MATERIALS WHEN CLEANING YOUR BATH PANEL.
WIPE OR SQUEEGEE EXCESS WATER OFF BATH PANEL AFTER EACH USE.



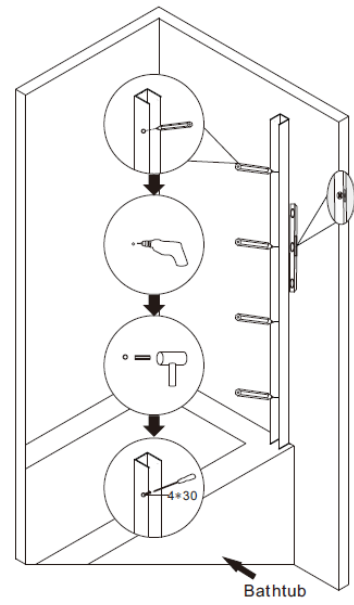
1

Place wall channel against the wall and ensure it is vertically square using a level.

Mark holes with a pencil

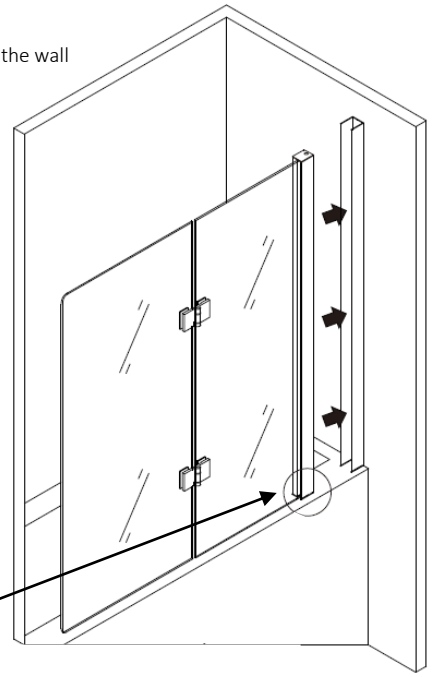
Remove wall channel and drill holes in the wall
****important note: make sure there are no hidden pipes or cables where you intend to drill. Where possible, try to locate a solid fixing (e.g. a wall stud)**

Insert wall plugs, realign wall channel & fix to the wall using the screws supplied.



2

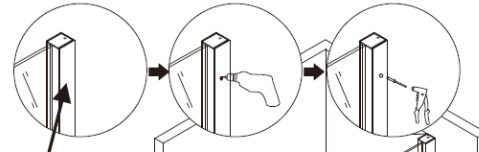
Insert the bath panel into the wall channel as shown below



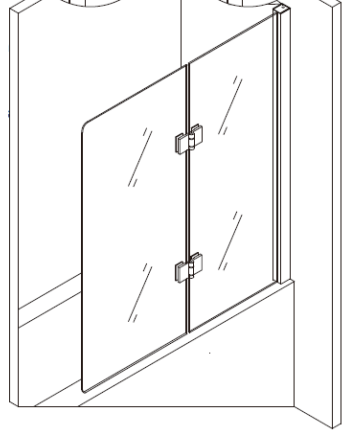
Important: Bath panel base must sit directly onto the bath. Do not suspend off the bath or leave unsupported.

3

Using the level ensure the bath panel is vertically square.
Ensure the gap between the bath & the panels are horizontal & even
Once satisfied, drill & fix-off using the rivets supplied.



All fixings should be on the larger side of the extrusion pocket.
Caution: Ensure not to drill into or hit the glass panel.



4

Cut the vertical water seal to suit the bath panel height & fit
Cut the horizontal water seals to suit panel widths & fit at the base of the bath panel as shown.

Using silicon adhesive, seal along the outside vertical edge of the bath panel.
***Use a silicon adhesive that is UV stabilised, non-acidic neutral cure with antifungal inhibitors is preferred.**

