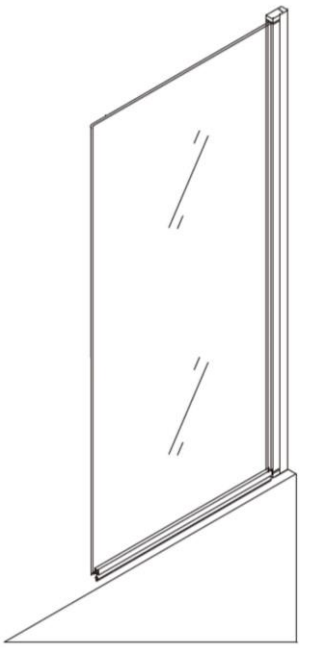


MONO BATH PANEL INSTALLATION GUID



BATH AREA SHOULD BE COMPLETELY CLEAN AND DRY PRIOR TO STARTING TO THE INSTALLATION PROCESS.

SILICON IS USED ON THE OUTSIDE OF THE BATH PANEL ONLY, TO ALLOW FOR MOISTER AND CONDENSATION TO DRAIN BACK INTO THE BATH

24h SHOWER SHOULD NOT BE USED FOR A MINIMUM OF 24 HOURS TO ALLOW THE SILICON TO CURE

CARE & MAINTENANCE
DO NOT USE CAUSTIC CLEANING PRODUCTS OR ABRASIVE MATERIALS WHEN CLEANING YOUR BATH PANEL.
WIPE OR SQUEEGEE EXCESS WATER OFF BATH PANEL AFTER EACH USE.

