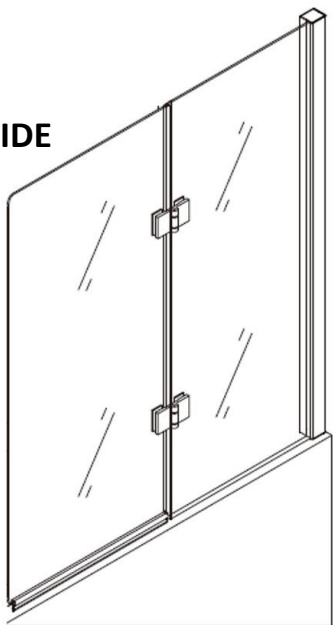


DUO BATH PANEL INSTALLATION GUIDE



BATH AREA SHOULD BE COMPLETELY CLEAN AND DRY PRIOR TO STARTING TO THE INSTALLATION PROCESS.

SILICON IS USED ON THE OUTSIDE OF THE BATH PANEL ONLY, TO ALLOW FOR MOISTURE AND CONDENSATION TO DRAIN BACK INTO THE BATH

24h SHOWER SHOULD NOT BE USED FOR A MINIMUM OF 24 HOURS TO ALLOW THE SILICON TO CURE

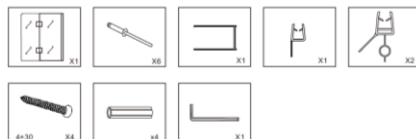
CARE & MAINTENANCE

DO NOT USE CAUSTIC CLEANING PRODUCTS OR ABRASIVE MATERIALS WHEN CLEANING YOUR BATH PANEL.
WIPE OR SQUEEGEE EXCESS WATER OFF BATH PANEL AFTER EACH USE.

TOOLS REQUIRED



IN THE BOX



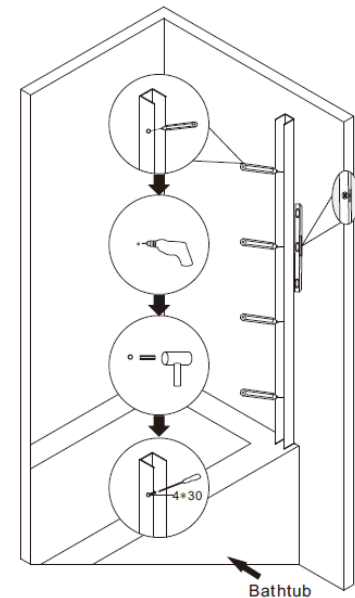
1

Place wall channel against the wall and ensure it is vertically square using a level.

Mark holes with a pencil

Remove wall channel and drill holes in the wall
****important note: make sure there are no hidden pipes or cables where you intend to drill. Where possible, try to locate a solid fixing (e.g. a wall stud)**

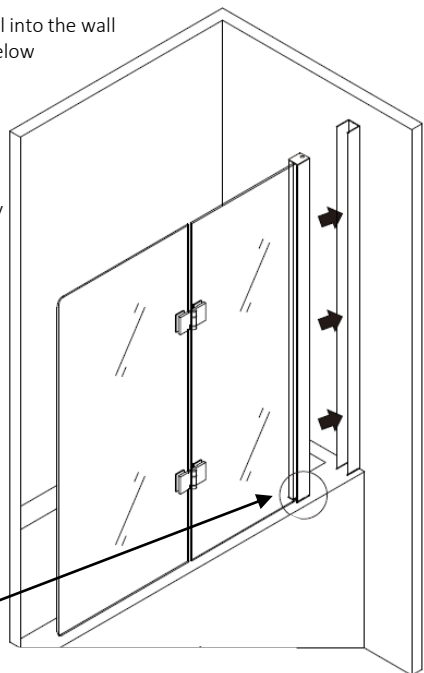
Insert wall plugs, realign wall channel & fix to the wall using the screws supplied.



2

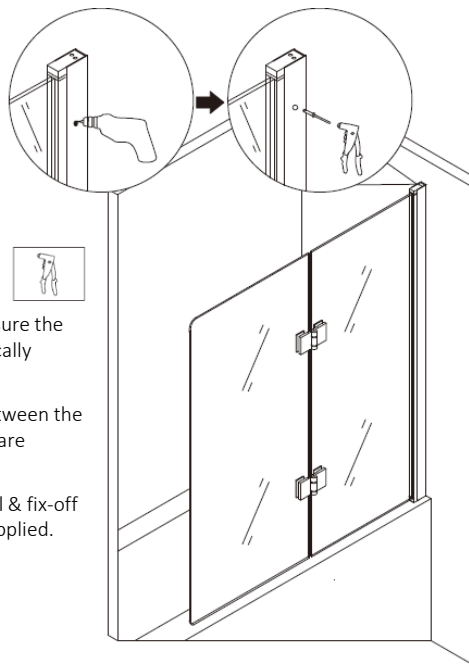
Insert the bath panel into the wall channel as shown below

IMPORTANT NOTE
Make sure that the bath panel is up the correct way for the 'rise & fall' mechanism to operate correctly. When you open the glass panel, the barrel and glass should 'rise' if installed correctly & drop and self-align when in the closed position.
Tip: There are two drainage holes at the base of the of the assembly.



Bath panel base must sit directly onto the bath. Do No suspend off the bath or leave unsupported.

3



Using the level ensure the bath panel is vertically square.

Ensure the gap between the bath & the panels are horizontal & even.

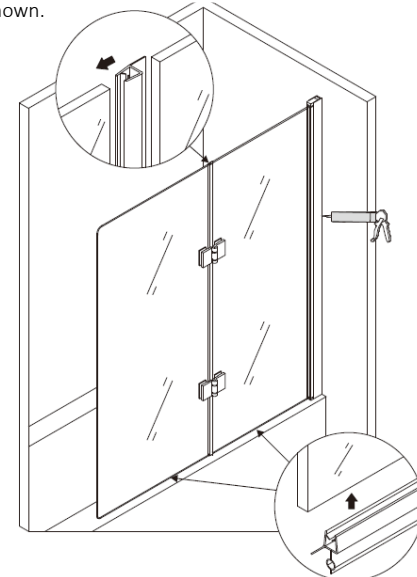
Once satisfied, drill & fix-off using the rivets supplied.

4

Cut the vertical water seal to suit the bath panel height & fit.

Cut the horizontal water seals to suit panel widths & fit at the base of the bath panel as shown.

Using silicon adhesive, seal along the outside vertical edge of the bath panel.
***Use a silicon adhesive that is UV stabilised, non-acidic neutral cure with antiFungal inhibitors is preferred.**



MELBOURNE SHOWER SCREENS ONLINE