

SEMI FRAMELESS SHOWER SCREEN INSTALLATION GUIDE

TOOLS & HARDWARE REQUIRED

DRILL	SCREW
RIVET GUN	RIVETS
SILICON GUN	SILICON
SPIRIT LEVEL	

SHOWER AREA SHOULD BE COMPLETELY CLEAN AND DRY PRIOR TO STARTING TO THE INSTALLATION PROCESS.

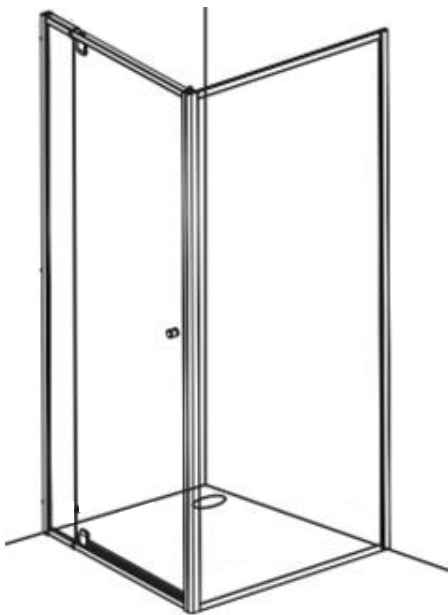
SILICON IS USED ON THE OUTSIDE OF THE SHOWER SCREEN ONLY, TO ALLOW FOR MOISTER AND CONDENSATION TO DRAIN BACK INTO THE SHOWER.

24h

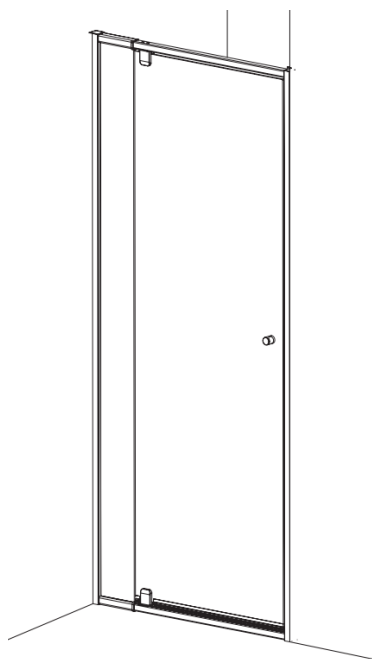
SHOWER SHOULD NOT BE USED FOR A MINIMUM OF 24 HOURS TO ALLOW THE SILICON TO CURE

24h

FRONT & RETURN CONFIGURATION



FRONT ONLY CONFIGURATION
WALL TO WALL

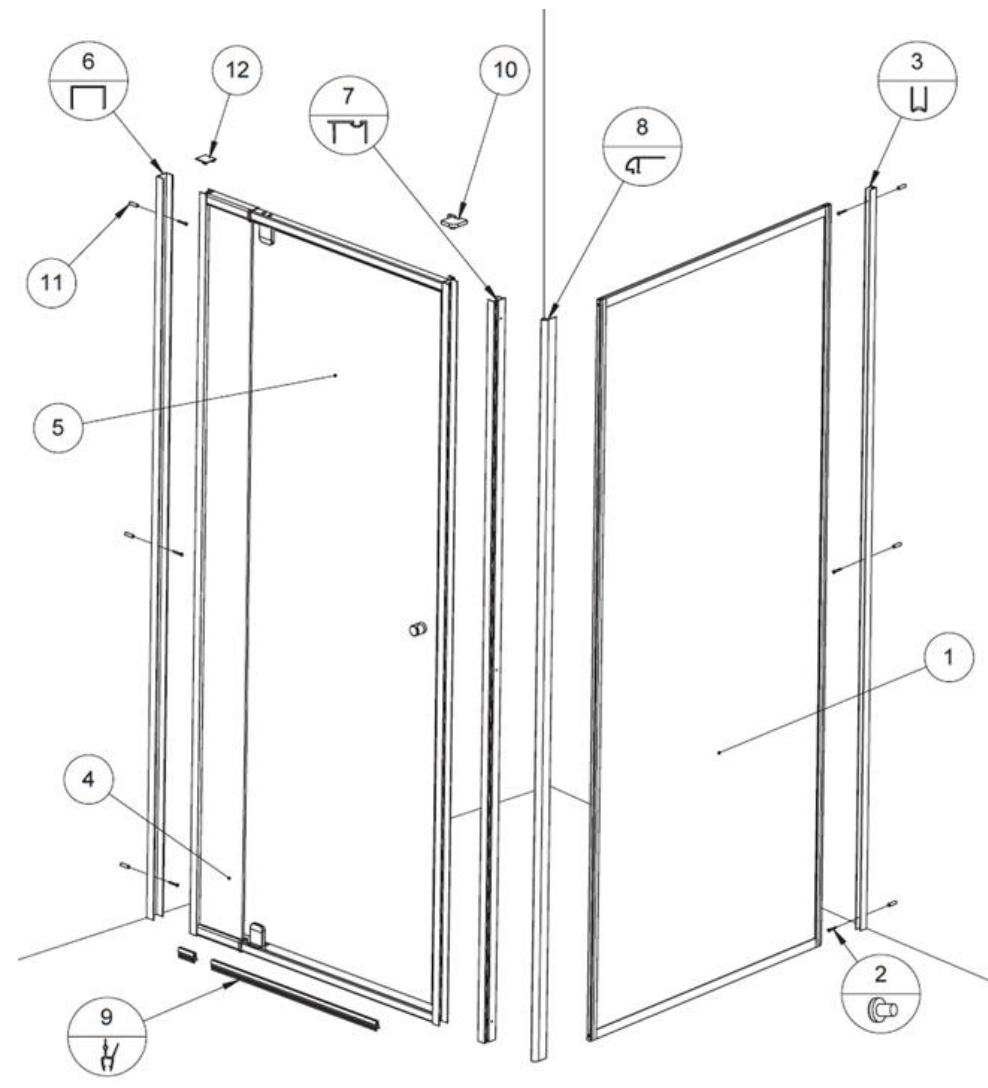


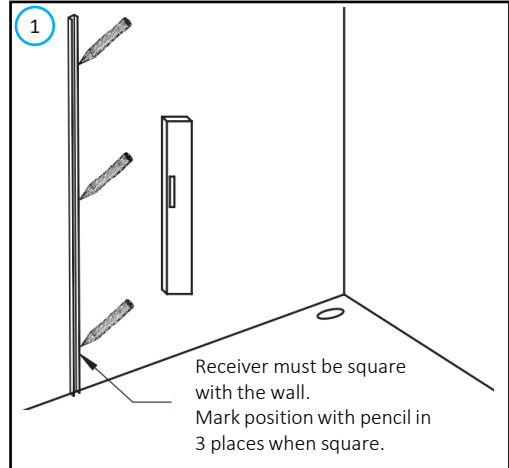
PART

- 1 RETURN PANEL
- 2 RECIVER SCREWS
- 3 WALL CHANNEL
- 4 ADJUSTMENT INFILL PANEL
- 5 DOOR
- 6 RECEIVER 1

PART

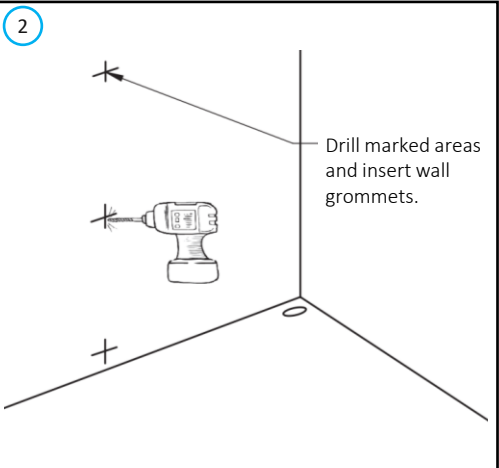
- 7 RECEIVER 2
 - 8 RETURN ADAPTER
 - 9 WATERPROOF STRIP
 - 10 RETURN END CAP
 - 11 WALL GROMMET
 - 12 RECIEVER END CAP
- NOT INCLUDED IN KIT*
- NOT INCLUDED IN KIT*





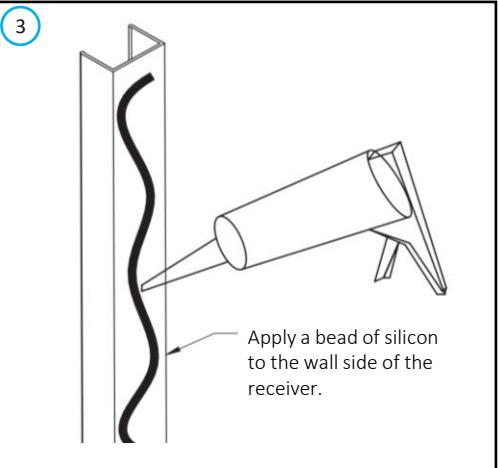
1

Receiver must be square with the wall.
Mark position with pencil in 3 places when square.



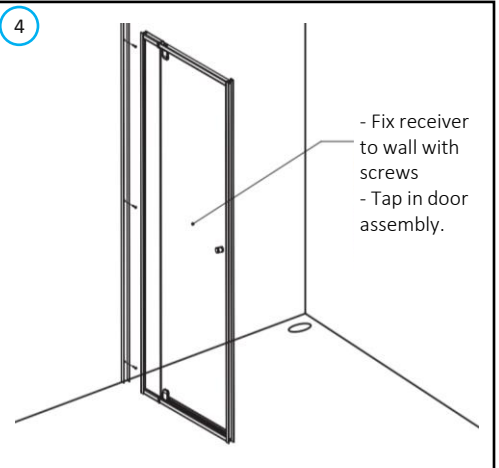
2

Drill marked areas and insert wall grommets.



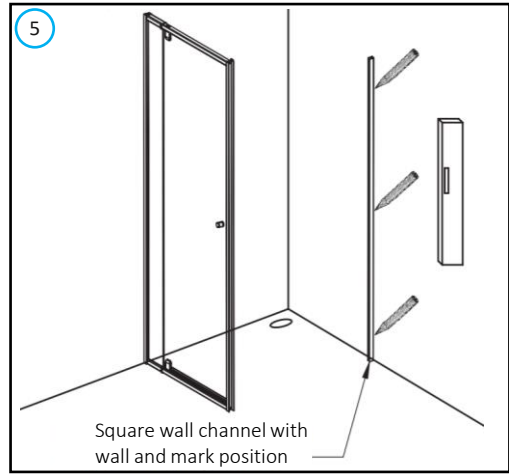
3

Apply a bead of silicon to the wall side of the receiver.



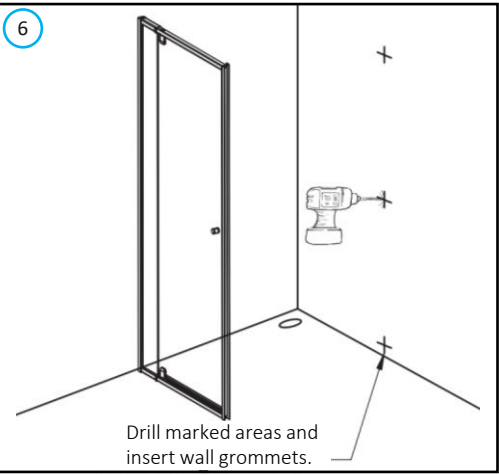
4

- Fix receiver to wall with screws
- Tap in door assembly.



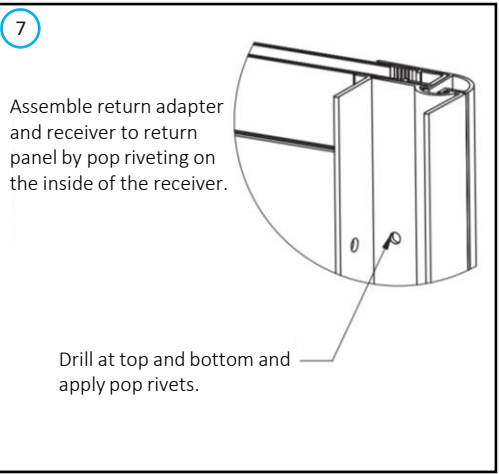
5

Square wall channel with wall and mark position



6

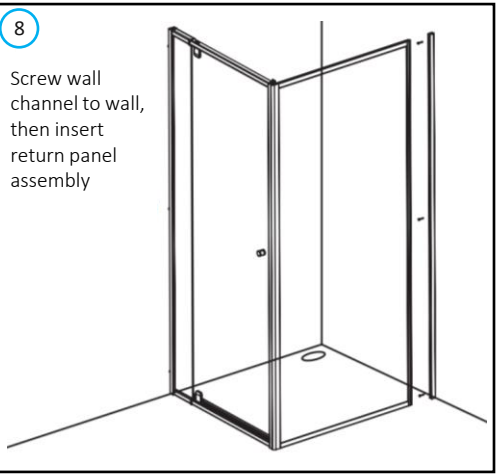
Drill marked areas and insert wall grommets.



7

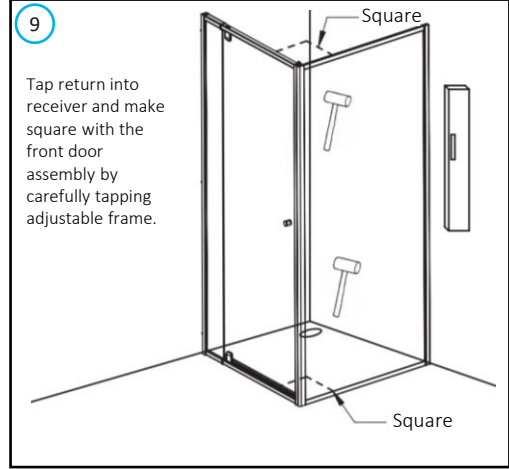
Assemble return adapter and receiver to return panel by pop riveting on the inside of the receiver.

Drill at top and bottom and apply pop rivets.



8

Screw wall channel to wall, then insert return panel assembly

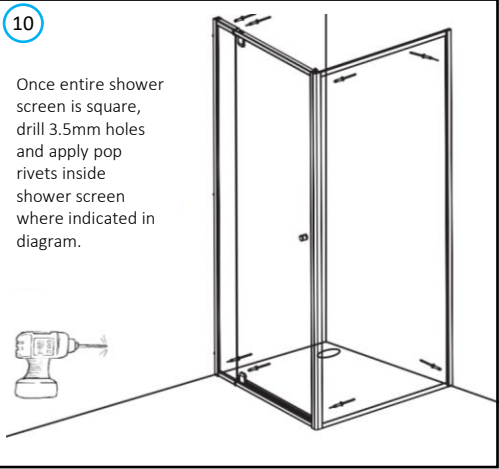


9

Tap return into receiver and make square with the front door assembly by carefully tapping adjustable frame.

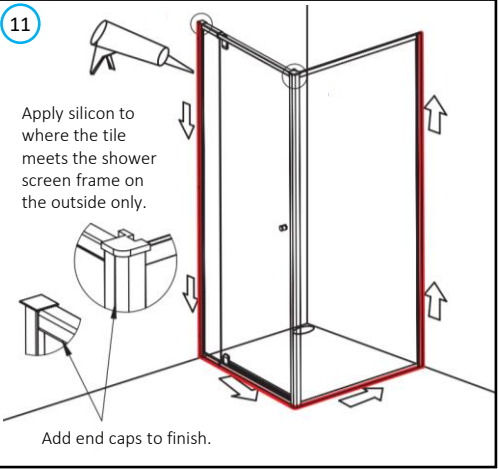
Square

Square



10

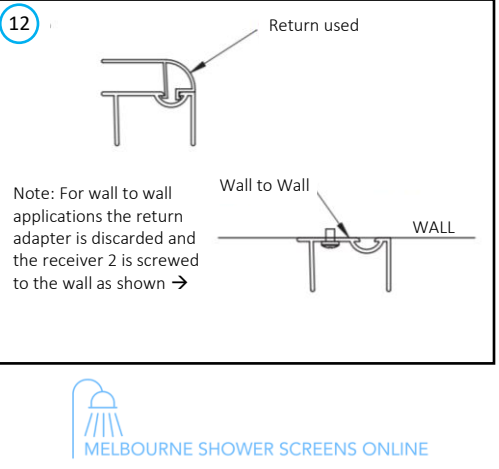
Once entire shower screen is square, drill 3.5mm holes and apply pop rivets inside shower screen where indicated in diagram.



11

Apply silicon to where the tile meets the shower screen frame on the outside only.

Add end caps to finish.



12

Return used

Wall to Wall

WALL

Note: For wall to wall applications the return adapter is discarded and the receiver 2 is screwed to the wall as shown →